

Integration Cables by MAGUIRE Enterprises, Inc. for Physio-Control LIFEPAK Defibrillators

BENEFITS: Having equipment preconnected using interconnect/slave cables simplifies the process of ECG and IBP signal transfer between the bedside/anesthesia monitor and the defibrillator. By establishing slaved remote displays, cable clutter caused by redundant sets of electrodes is reduced. Diagnosis and delivery of care are often expedited when monitoring systems are integrated. Interconnect cables are frequently utilized in the Cardiac ICU, PACU, Cath/EP Lab, Hybrid/Cardiac OR, Emergency trauma rooms, and other areas wanting the convenience and efficiency of synchronized waveforms. Our 257 Series Output Multiplier is the optimal solution for more complex integrations; where remote display to multiple peripheral devices is needed. This unique product enables simultaneous connection from the primary physiologic monitor to the defibrillator as well as balloon pump, ultrasound/TEE, cardiac monitor, and more. Contact our knowledgeable team or visit MaguireEnterprises.com to learn more about mutlipliers and our many interconnect cables and adapters.

ECG/SYNC port provides remote synchronization and real-time output FROM the LifePak 20/20e to third party monitors.



Advance the **ECG** signal from
the LifePak 20/20e TO a third party device:

ECG transfer TO these listed devices:

*Pacer Programmers
(when used in tandem with a
1/4" phono plug pacer cable)*



ECG

ME590DFB3

Pacer Programmer: Biotronik



ECG

ME590090N

*GE Healthcare monitors and
select ultrasounds*



ECG

ME590271

*Philips Healthcare ultrasounds
via the AUX ECG input*



ECG

ME590275

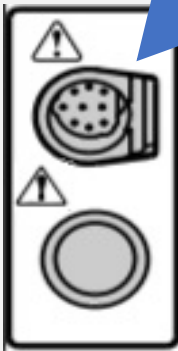
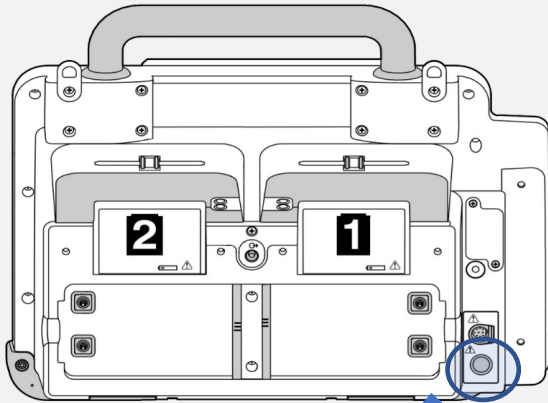
Spacelabs monitors



ECG

ME590272

SYSTEM CONNECTOR port provides remote synchronization and real-time output FROM the LifePak 12/15 to third party monitors.



Advance the **ECG** signal from the LifePak 12/15 **TO** a third party device:

BENEFIT: Patient chest is clearer with fewer connected patient electrodes and cables.

ECG transfer TO these listed devices:

Biotronic Pacer Programmer



ECG

ME590031M

GE Healthcare monitors and select ultrasounds



ECG

ME590132J

Nihon Kohden BSM monitors



ECG

ME590242

Philips Healthcare monitors



ECG

ME590008BX

Pacer Programmers: use in tandem with the 1/4" phono plug pacer cable



ECG

ME550DFB3

Output Multiplier: allows up to three ECG outputs to third party monitors. Contact us for coordinating 1/4" phono plug cables which connect multiplier to pacer programmers and peripherals.



ECG

ME550LP123

**ECG INPUT CONNECTION FOR
LIFEPAK 12, 15, 20, AND 20e**



LifePak 20/20e



LifePak 12/15

**Advance the ECG signal from a third party device
TO the LifePak Defibrillator**

ECG transfer TO these listed devices:

*GE Healthcare monitor
(PDM module)*



ECG [ME590185K](#)

*GE Healthcare monitor
(7 pin mini din)*



ECG [ME590261](#)

*GE Healthcare monitor
(6 pin lemo)*



ECG [ME590032K](#)

GE Healthcare - patient cable



ECG [ME5902305](#)

Philips Healthcare monitor



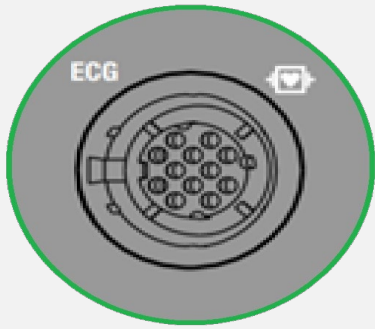
ECG [ME590006K](#)

Philips Healthcare 3 LEAD patient cable



ECG [ME590030K3](#)

**ECG INPUT CONNECTION FOR
LIFEPAK 12, 15, 20, AND 20e**



...continued

Advance the **ECG** signal FROM a third party device to the LifePak Defibrillator

ECG sent FROM these listed devices:

Philips Healthcare 5 LEAD patient cable



ECG [ME590030K5](#)

Siemens Axiom Sensis monitor



ECG [ME590092K](#)

Siemens/Draeger monitors
(select models)



ECG [ME590015K](#)

**IBP INPUT CONNECTION FOR
LIFEPAK 12/15**



Advance the **IBP** signal FROM a third party devices to the LifePak Defibrillator

IBP sent FROM these listed devices:

Abbott/Hospira/Medex ICU Medical Transpac
IV transducer



IBP [ME585F](#)

Datascope / Maquet Balloon pump



IBP [ME590180M](#)

Edwards TruWave transducer



IBP [ME584F](#)

GE Healthcare IBP patient cable



IBP [ME581](#)

Philips Healthcare IBP patient cable



IBP [ME583](#)